

RAPid Trunnion		
How to order — RT-G-H-C		
Gearbox ratio (G)	Height (H)	Caster (C)
301 = 30:1	34	F = Floor Mount
201 = 20:1	36	C4 = 4" Caster
151 = 15:1	38	C6 = 6" Caster
	40	
	42	

Additional sizes and power options are available upon request

## Rentapen, LLC

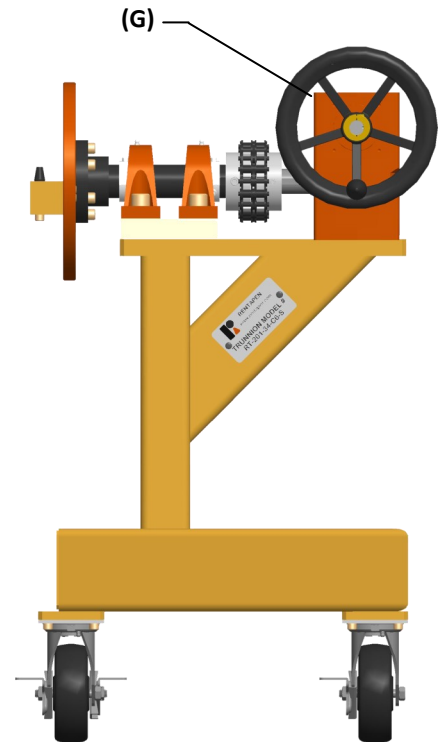
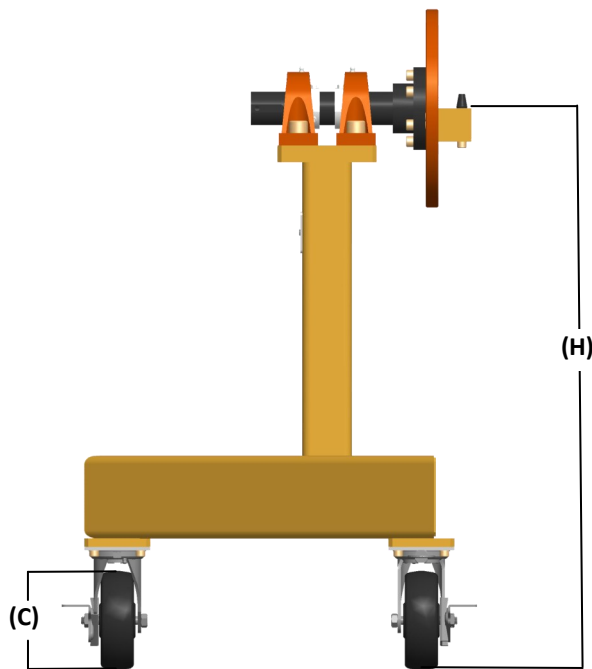
12601 W. Silver Spring Rd.

Butler, WI 53007

Phone: (262) 395-4699

Fax: (262) 439-9101

email: [sales@rentapen.com](mailto:sales@rentapen.com)



Request for quote						
Company			(G)	(H)	(C)	(QTY)
Address			RT-			
Phone			RT-			
Contact			RT-			
Email			RT-			

Fax to: 262-439-9101 or email to: [sales@rentapen.com](mailto:sales@rentapen.com) to receive quote