

Rapid Tooling Components™

Riser and Spacer

for

Jergen Clamps

RAPid Riser™: RR00

Jergen's

70210
70230
70240
70250
70260
70262
70264
70270
70280
70310
70320
70330
70340
70342
70350
70360
70365
70380
70390
70395
70420
70430

Rentapen's

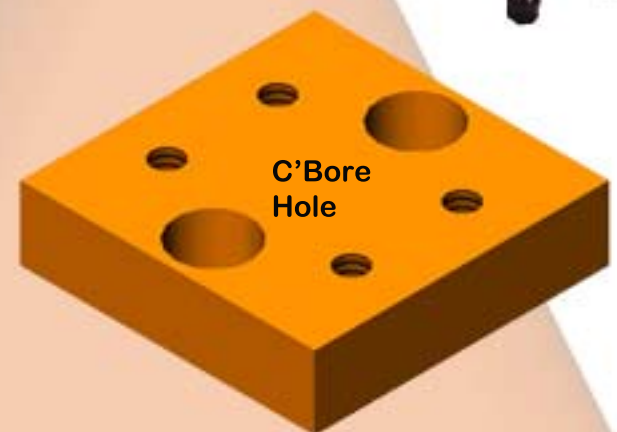
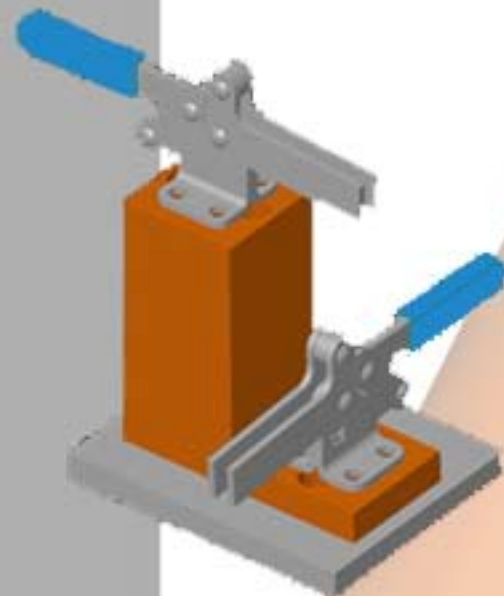
RR00-250-xxx-006
RR00-250-xxx-006
RR00-312-xxx-019
RR00-312-xxx-006
RR00-250-xxx-005
RR00-312-xxx-017
RR00-375-xxx-016
RR00-375-xxx-010
RR00-250-xxx-001
RR00-312-xxx-011
RR00-312-xxx-011
RR00-312-xxx-015
RR00-312-xxx-015
RR00-312-xxx-015
RR00-312-xxx-003
RR00-312-xxx-003
RR00-312-xxx-003
RR00-312-xxx-003
RR00-312-xxx-003
RR00-312-xxx-003
RR00-312-xxx-003
RR00-375-xxx-007
RR00-375-xxx-007

Jergen's

70440
70450
70460
70470
70810
70818
70820
70830
70840
70850
72160
72161
72162

Rentapen's

RR00-375-xxx-007
RR00-375-xxx-007
RR00-375-xxx-007
RR00-375-xxx-007
RR00-312-xxx-012
RR00-250-xxx-003
RR00-312-xxx-023
RR00-375-xxx-010
RR00-375-xxx-010
RR00-375-xxx-012
RR00-312-xxx-022
RR00-312-xxx-003
RR00-375-xxx-006



Contact Rentapen for any
order large or small!
Sales@rentapen.com
Phone: (262)542-8891
Fax:(262)542-8892

Made in USA

1/2" - 4" in 1/4" Increments for height

RR00 Model Number Format
RR00 - C'Bore - Height - Model

Create you Free 3D models at:
www.weldfixturecomponents.com

For more information visit