

# Rapid Tooling Components™

## Riser and Spacer

for

## De-Sta-Co Clamps RAPid Riser™: RR00

### De-Sta-Co's #

201  
205  
207  
213  
217  
608  
610  
615  
620  
802  
803  
807  
810  
812  
816  
247  
305  
307  
309  
516

### Rentapen's #

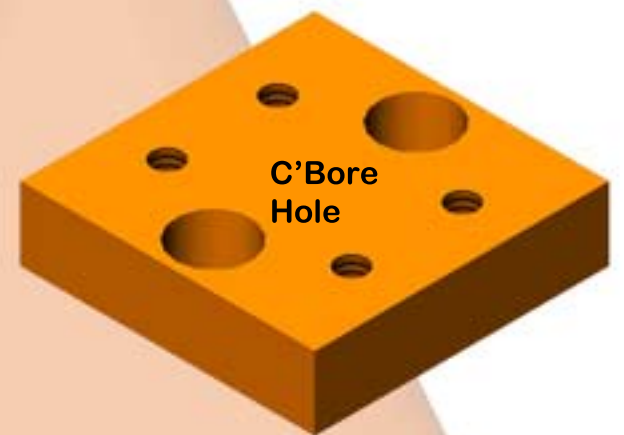
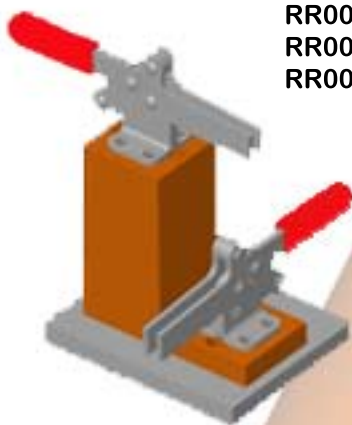
RR00-312-xxx-011  
RR00-250-xxx-004  
RR00-312-xxx-003  
RR00-250-xxx-005  
RR00-312-xxx-018  
RR00-375-xxx-010  
RR00-375-xxx-010  
RR00-312-xxx-023  
RR00-375-xxx-010  
RR00-312-xxx-015  
RR00-312-xxx-013  
RR00-312-xxx-003  
RR00-375-xxx-007  
RR00-312-xxx-011  
RR00-250-xxx-006  
RR00-375-xxx-007  
RR00-250-xxx-004  
RR00-312-xxx-005  
RR00-375-xxx-008  
RR00-312-xxx-007

### De-Sta-Co's #

202  
206  
210  
215  
219  
220  
225  
227  
229  
235  
237  
240  
245

### Rentapen's #

RR00-312-xxx-015  
RR00-250-xxx-004  
RR00-375-xxx-007  
RR00-312-xxx-016  
RR00-312-xxx-004  
RR00-312-xxx-010  
RR00-312-xxx-006  
RR00-312-xxx-008  
RR00-375-xxx-001  
RR00-375-xxx-010  
RR00-375-xxx-011  
RR00-375-xxx-013  
RR00-375-xxx-014



1/2" - 4" in 1/4" Increments for height

RR00 Model Number Format

**RR00 - C'Bore - Height - Model**

Create you Free 3D models at:  
[www.weldfixturecomponents.com](http://www.weldfixturecomponents.com)

**For more information visit**

[www.rentapen.com](http://www.rentapen.com)

Contact Rentapen for any  
order large or small!  
[Sales@rentapen.com](mailto:Sales@rentapen.com)  
Phone: (262)542-8891  
Fax:(262)542-8892

Made in USA